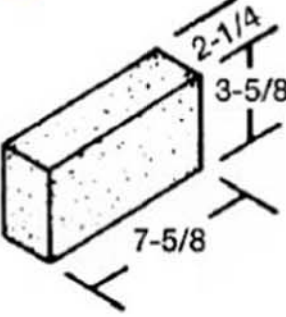
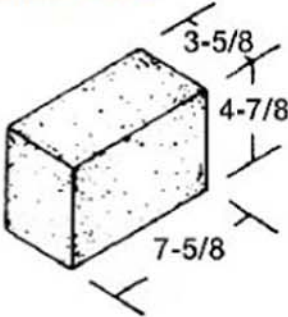
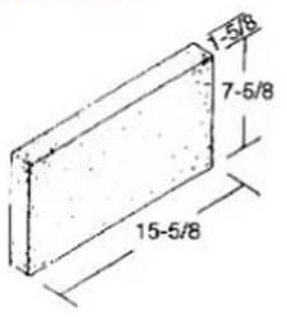
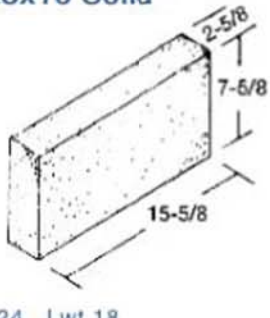
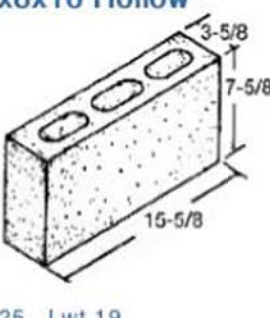
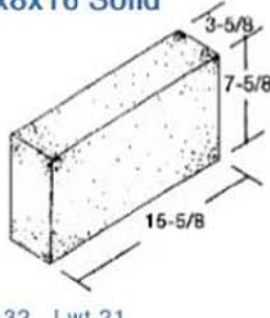
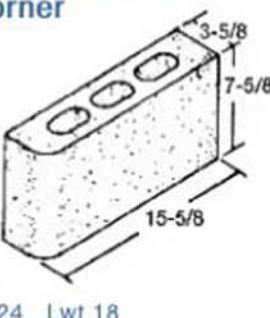
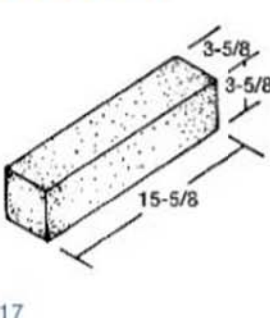
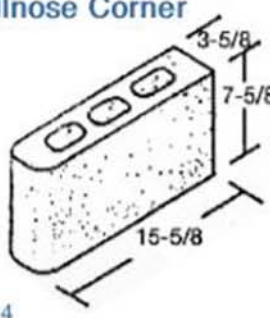
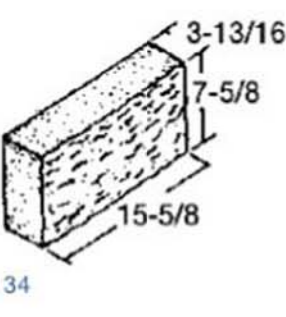


# SOLIDS & 4x8x16 UNITS

<p><b>Brick</b></p>  <p>Wt 4-1/2 Lwt 3-1/2</p>	<p><b>Double Brick</b></p>  <p>Wt 10 Lwt 7-1/2</p>	<p><b>2x8x16 Solid</b></p>  <p>Wt 16 Lwt 11</p>
<p><b>3x8x16 Solid</b></p>  <p>Wt 24 Lwt 18</p>	<p><b>4x8x16 Hollow</b></p>  <p>Wt 25 Lwt 19</p>	<p><b>4x8x16 Solid</b></p>  <p>Wt 32 Lwt 21</p>
<p><b>4x8x16 Bullnose Corner</b></p>  <p>Wt 24 Lwt 18</p>	<p><b>4x4x16 Solid</b></p>  <p>Wt 17</p>	<p><b>4x8x16 Double Bullnose Corner</b></p>  <p>Wt 24</p>
<p><b>4x8x16 Split Face Solid</b></p>  <p>Wt 34</p>		